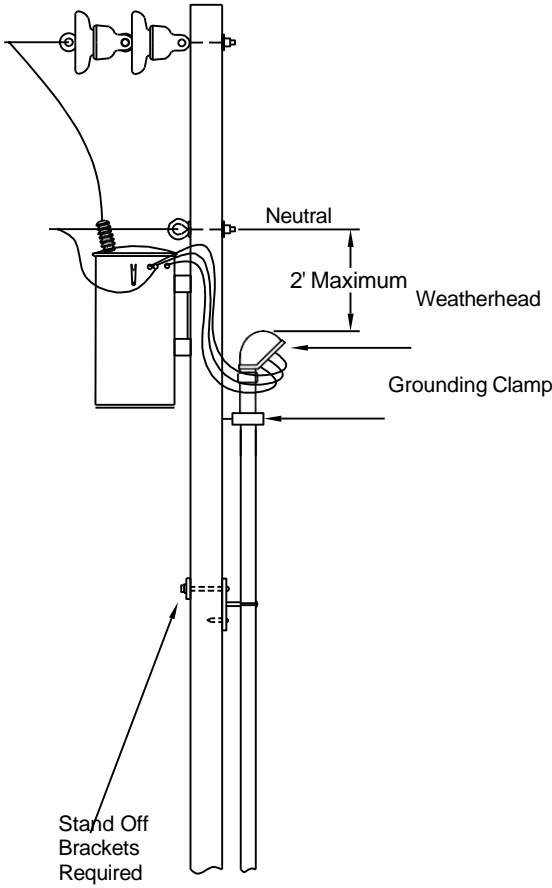


Newport Utilities

Requirements for Underground Residential Service



Member to Furnish & Install

- Metallic Rigid Conduit & Straps on Exterior Wall
- Schedule 80 Electrical PVC between elbows
- Minimum 24" Radius Sweeps
- Locknuts & Grounding Bushing required in/at meter base
- Heating of PVC Conduit to Make Bends is NOT Accepted
- Customer must provide a UL listed meter base appropriate for the intended use and must be approved by the State Electrical Inspector.
- Supply connectors for load side on meter lugs.

Customer to Furnish & Leave by Pole

- Schedule 80 Conduit Per Specified Size & Length
- Weatherhead
- Conduit Clamp (2 per conduit stick)
- Lag bolts

Conduit Size

- 225 Amp or less - 2"
- 400 Amp - 3"
- 600 Amp - 4" (Unless specified differently

by NU Staking Dept)

NOTE: Grounding electrode is required per NEC/State of Tennessee requirements. Ground rods must be a minimum of 12" from underground service conduit.

NOTE: Meter Base Location must be approved by NU Staking Dept

